

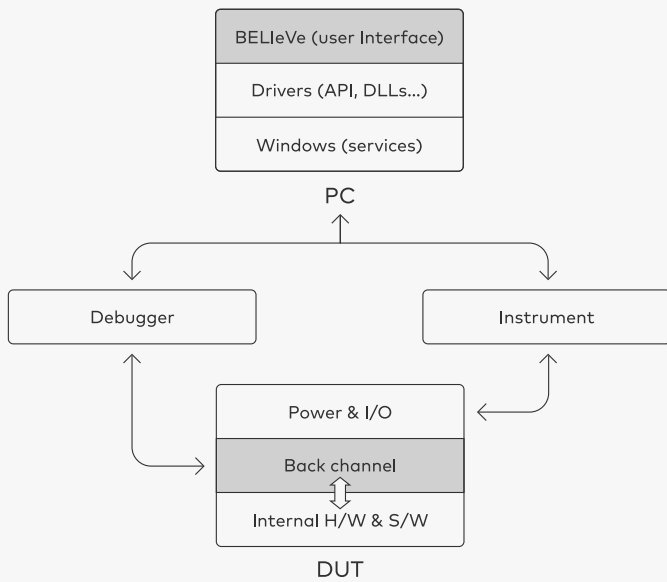


# BELIeVE - DV|QA

**BELIeVE in the functionality of your products**

- Verify the integration of your product's software and hardware.
- Automate the operation of your existing T&M equipment and unleash its full potential.
- Inject faults and force events to confirm your product handles errors and conditions correctly.
- Go to market with increased confidence in the reliability of your products.

## What is BELleVE?



The Bermondsey Electronics Limited Integration Verification Engine is an application written in JavaScript that runs on a PC\*.

It interfaces with your networkable instrumentation and can also interface directly with your product through a back channel.

Use BELleVE to verify your product's functionality from the outside and from within!

\* Running Windows 10 or higher.

## Why BELleVE?

- Get more from the instrumentation in which you've already invested.
- Tests can be performed far quicker than is possible manually, saving you a great deal of time.
- Comprehensive test coverage – explore all permutations of input conditions with the finest of granularity/resolution to unearth corner cases.
- Highly repeatable tests.
- Batch testing is possible.
- No risk of human error such as missing a measurement or misinterpreting a reading.
- Inject faults to satisfy yourself that your product handles errors correctly.
- Reports are automatically generated.

BELleVE is wholly equipment independent. If your instrument has a comms port, BELleVE can talk to it. Also, there's no tie-in, which is not the case with software available from T&M equipment vendors (who want your long-term business).

Automate your...  
 Benchtop Power Supplies \*  
 Waveform Generators \*  
 Digital Multimeters \*  
 Oscilloscopes \*  
 Spectrum Analysers \*  
 Debuggers \*  
 In-Circuit Testers \*  
 Scientific Instrumentation

## BELleVE-DV

Node License Locked for one PC

Period: Unrestricted

£8495 +VAT

Node License Locked for one PC

Period: 1 Year

£4995 +VAT

\* Or less than £20 p/d +VAT

### Includes support

This version of BELleVE is ideal for product development and certification.

#### Enabled User Interfaces

Test Manager  
 Project Manager  
 Test Editor  
 Test Runner Debug  
 Command Line Interface

#### Supplied Documentation

Getting Started guide  
 List of Test Editor Commands

## BELleVE-QA

Node License Locked for one PC

Period: 1 Year

£950 +VAT

\* Or less than £4 p/d +VAT

This version of BELleVE is ideal for product development and certification.

#### Enabled User Interfaces

Command Line Interface

#### Supplied Documentation

Getting Started guide

## Example Use Cases

BELleVE-DV provides invaluable support during product development, particularly if you're working on a product for which compliance against an industry standard must be demonstrated as the autogenerated reports can be used as evidence for traceability purposes. Also, by interfacing through industry standards such as JTAG, or vendor specific systems such as Microchip's ICSP, in-system programming (ISP) is possible through BELleVE.

Here are just a few examples of what BELleVE-DV can do.

### Control Power

Automate your power supply's output to make step changes to your product's input power to simulate brownouts, blackouts or a slowly depleting battery, for example.

### Measure Power Consumption

Because BELleVE can control multiple instruments simultaneously it is easy to monitor voltage and current at the same time. You can, for instance, record your product's power consumption over time and in different modes of operation.

### Test I/O

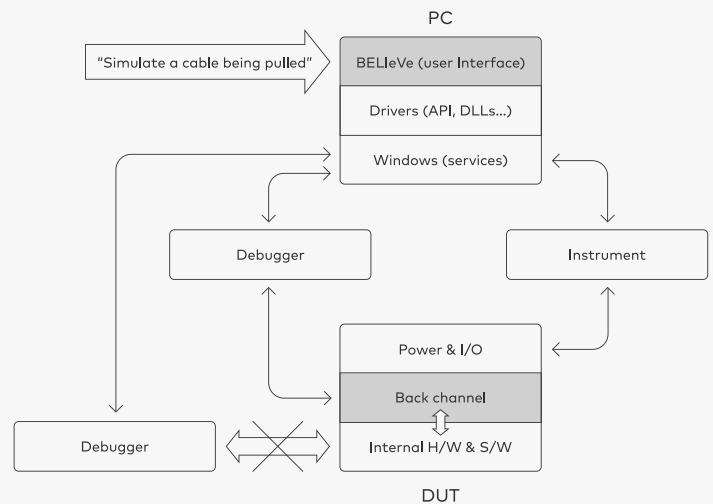
Analogue and digital I/O can be driven and monitored using BELleVE, which can automate the behaviour of multiple instruments to simulate an environment in which your product acts as a closed-loop controller, for example.

### Exercise Interfaces

You can verify your product's wired and wireless I/O. This is particularly important if you have embedded third party comms IP into your product. See our website for example comms protocols with which BELleVE can control.

## Simulate sensors, user interaction, hardware faults and milestone events

This is where BELleVE really comes into its own, and helps you explore all corner cases. You can drive instruments to replicate the behaviour of sensors (with 4 to 20mA outputs, for example). BELleVE can also interact with an interface board that might, for example, have switches, buttons and keypads. You can therefore monitor or simulate expected user interaction as well as assess the ramifications of unexpected behaviour or misuse. In addition, through accessing your product's back channel, BELleVE can advance counters to verify that time- or use-based milestone events do in fact result in expected behaviour, such as a maintenance request. Here are just a few examples of what BELleVE-DV can do.



For a complete list of use cases, please visit our website

## Who Benefits from BELleVE?

Business owners, investors and other stakeholders - you all have the peace of mind that the products you take to market have been thoroughly verified.

Engineering managers and systems/integration engineers, you can use BELleVE to satisfy yourself that your product's hardware and software function together correctly.

Production and QA managers, you can confirm that every unit (or at least a sample from each batch) functions as intended.

Last but not least, your customers benefit greatly. They take delivery of well-designed and thoroughly tested products.

**BELleVE in the functionality of your products**

## About Bermondsey Electronics

Active in sectors that include aerospace, automotive, security, fitness and leisure, we are a highly experienced embedded systems design house. We're also the company behind the BELLeVE integration verification engine, as used by engineers to develop and verify their embedded systems.

Our design and verification services shorten and de-risk product launches, enabling OEMs to go to market quickly and with increased confidence in their products.

In-house capabilities include project management, hardware, software and firmware development, and design for test and manufacture (DFT & DFM). Moreover, we have extensive experience of the technologies underpinning industry's most exciting applications, including artificial intelligence (AI), machine learning (ML), Industry 4.0, machine-to-machine (M2M), and the internet of things (IoT) and its industrial counterpart (IIoT).

We can provide support at virtually any stage of product development, from initial concept through to the complete and thorough functional verification of prototypes. We can also oversee PCB bring-up.

Whether you're licencing our BELLeVE integration verification engine or using our design and test services, we can increase your confidence in your products.



**Bermondsey  
Electronics** LTD

Bermondsey Electronics Ltd.  
Unit B.505  
The Biscuit Factory  
100 Drummond Road  
London SE16 4DG  
United Kingdom

[contact@bermondseyelectronics.com](mailto:contact@bermondseyelectronics.com)  
+44 2080 650 162

Bermondsey Electronics Ltd. is registered in England and Wales. Registered number: 10524932 VAT Number: 259290869  
Registered office: Unit B.505, The Biscuit Factory, 100 Drummond Road, London SE16 4DG, United Kingdom